

**RULES:** Practical Shooting Handbook, Latest Edition

**COURSE DESIGNER:** IROA / RO José Gonçalves

**01 – (Long Course) Stage – 01**

**STAGE PROCEDURE:** Upon start signal, draw and engage all targets in any order.

**START POSITION:** Standing with Heels touching XX marks, facing down range, hands naturally at sides

**START CONDITION:** Handgun in ready condition and holstered.

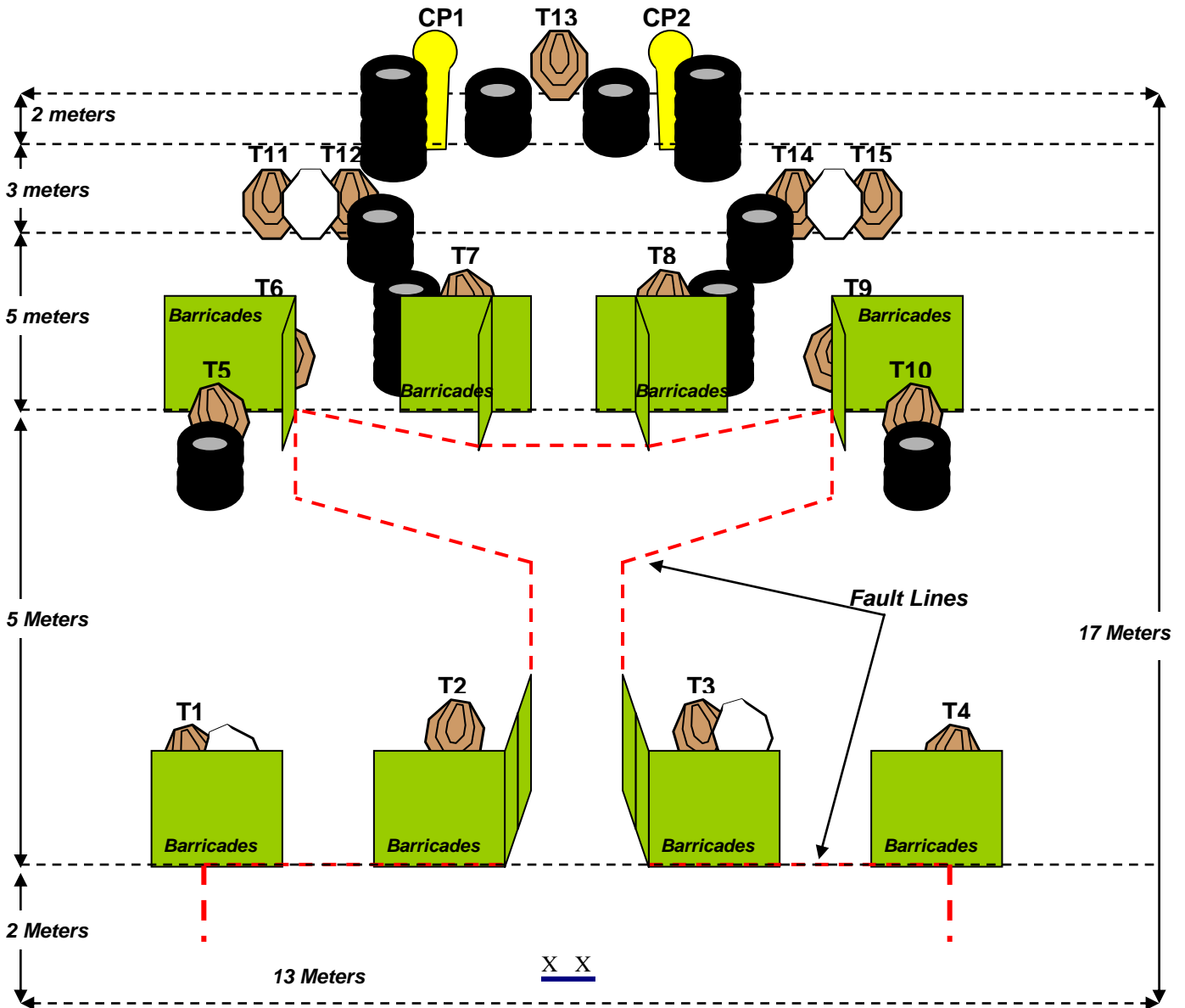
**SCORING:** Comstock, 32 rounds, 160 points

**TARGETS:** 2 Classic Popper, 15 IPSC Targets.

**SCORED HITS:** Best 2 per paper. Metal down = 5 points

**START-STOP:** Audible signal - Last shot

**PENALTIES:** Per current edition IPSC Rule Book



**SETUP NOTES:**

Distance between barricades is 2 meters. Popper's distance 8 meters.

**R.O. NOTES:** Arbitration Fees ..... 80,00 €

